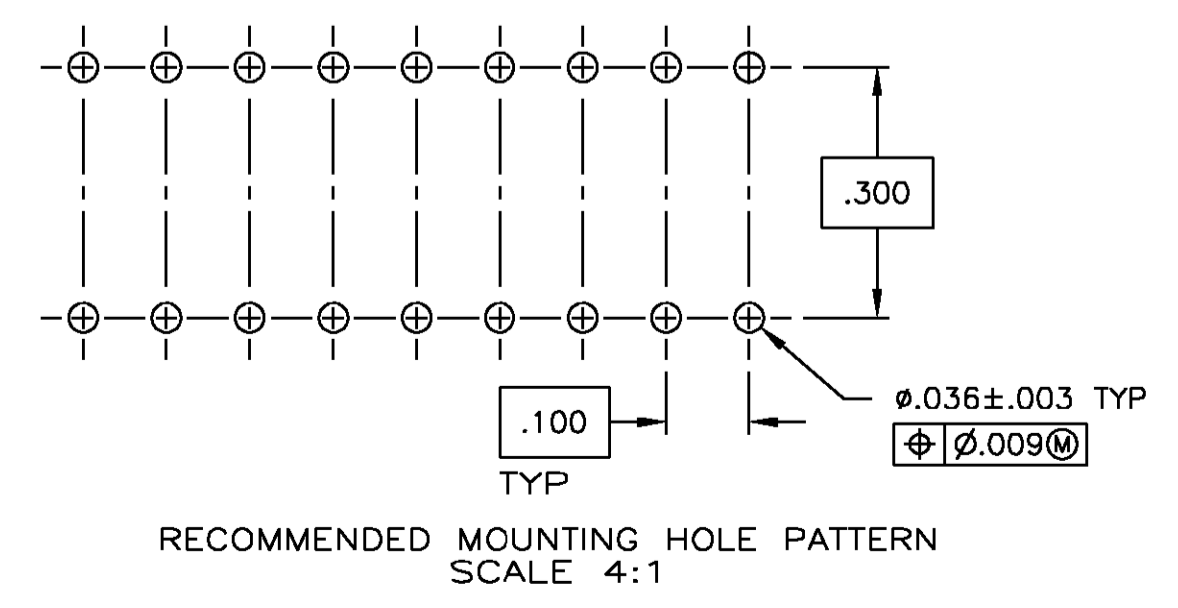
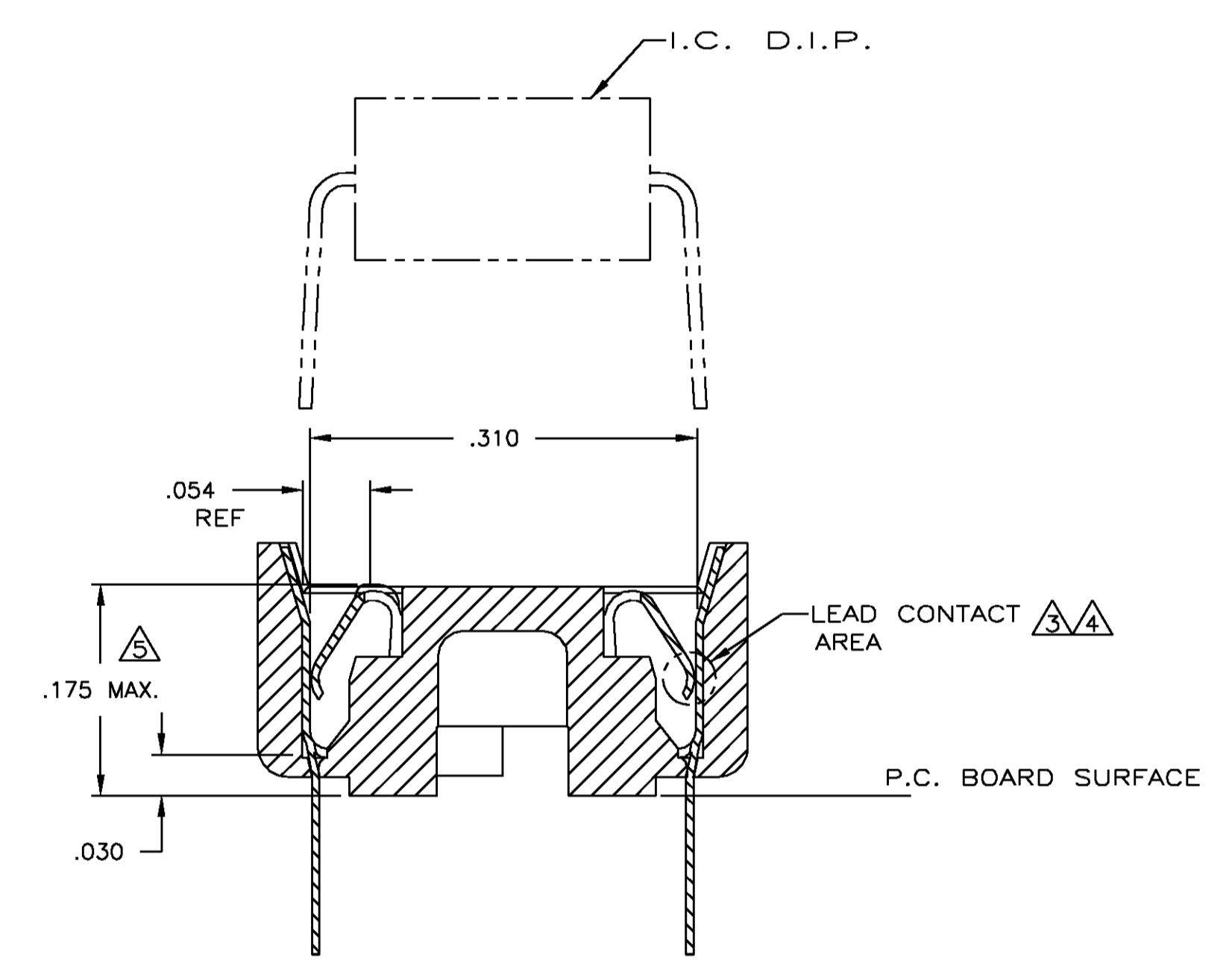
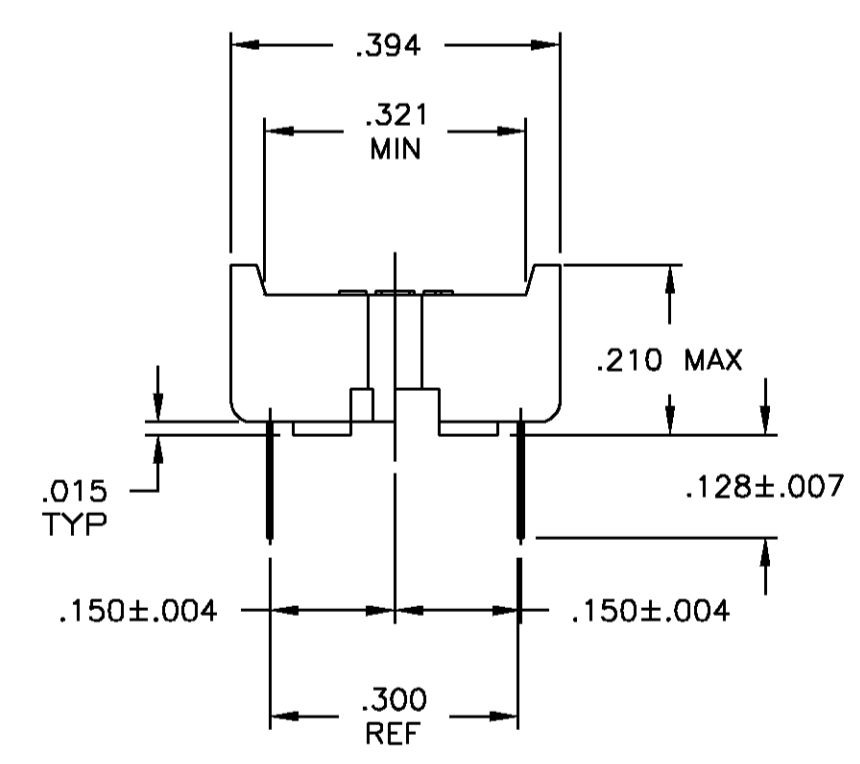
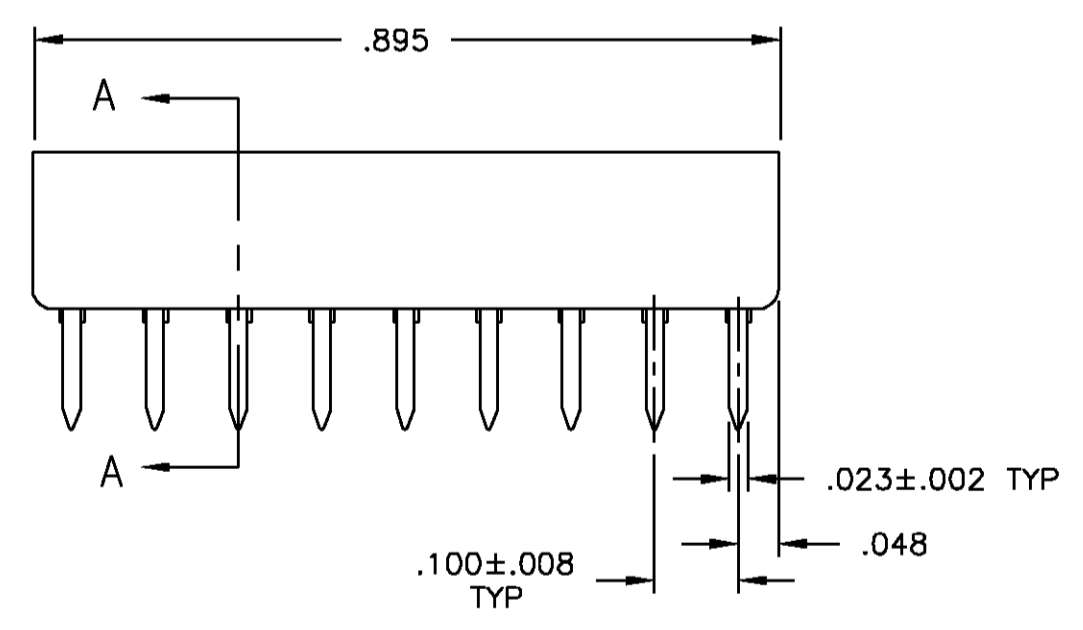
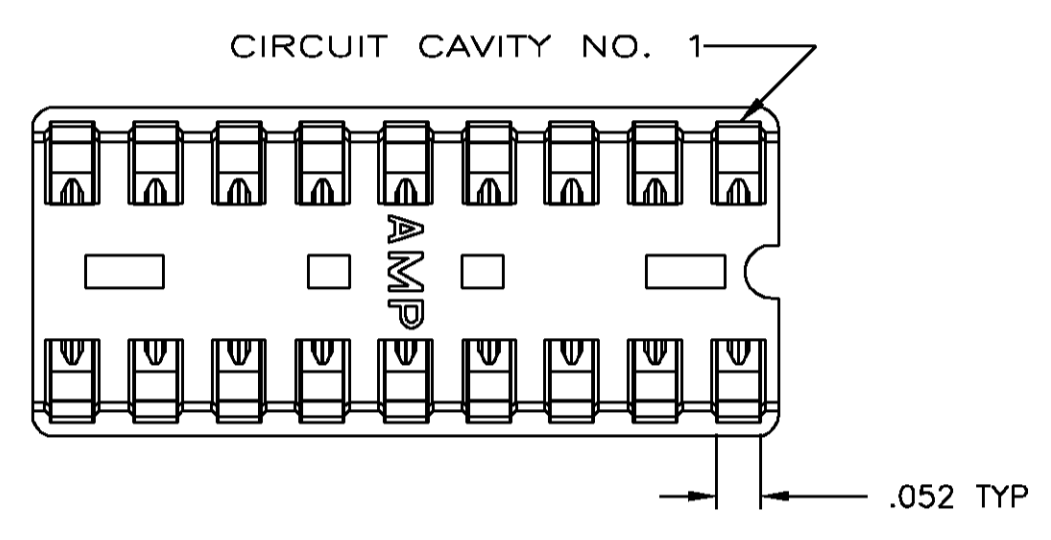


1. RECEPTACLE ACCEPTS A .008-.014 THICK I.C. LEAD.
2. TUBE LOADED FOR AUTOMATIC INSERTION.
3. TWO .000030 MIN THK. GOLD STRIPES IN CONTACT AREA WITH TIN-LEAD (93/7) ON CONTACT LEGS, BALANCE OF CONTACT NICKEL PLATED.
4. TWO .000015 MIN THK. GOLD STRIPES IN CONTACT AREA WITH TIN-LEAD (93/7) ON CONTACT LEGS, BALANCE OF CONTACT NICKEL PLATED.
5. MAXIMUM DIMENSION FOR I.C. SEATING PLANE.



SUPSD BY 390261-5	PHOS.BRZ. .006 THK	GLASS-FILLED THERMOPLASTIC, 94V-0, BLACK	2-640359-4
OBSOLETE	TINNED	PHOS.BRZ. .006 THK	GLASS-FILLED THERMOPLASTIC, 94V-0, BLACK
SUPSD BY 390261-5	TINNED	BE.CU. .006 THK	GLASS-FILLED THERMOPLASTIC, 94V-0, BLACK
	TINNED	BE.CU. .006 THK	GLASS-FILLED THERMOPLASTIC, 94V-0, BLACK

THIS DRAWING IS A CONTROLLED DOCUMENT.		DRW: M.CYRUS 20FEB97	AMP Tyco Electronics Corporation Harrisburg, PA 17105	
DIMENSIONS: INCHES		CHK: R.MILLER 20 FEB 97	SOCKET ASSY, DIP, 18 POS, DIPLOMATE DL	
TOLERANCES UNLESS OTHERWISE SPECIFIED:		APP'D: J.LAMBERT 20 FEB 97	SIZE: A1	
0 P/LC ± -	1 P/LC ± -	NAME: PRODUCT SPEC	DRAWING NO: 108-1066	
2 P/LC ± -	3 P/LC ± .005	APPLICATION SPEC	114-1049	
4 P/LC ± -	ANGLES ± -	WEIGHT: -	RESTRICTED TO	
MATERIAL: SEE TABLE	FINISH: SEE TABLE	CUSTOMER DRAWING	SCALE: 5:1 SHEET 1 OF 1 REV AA	